

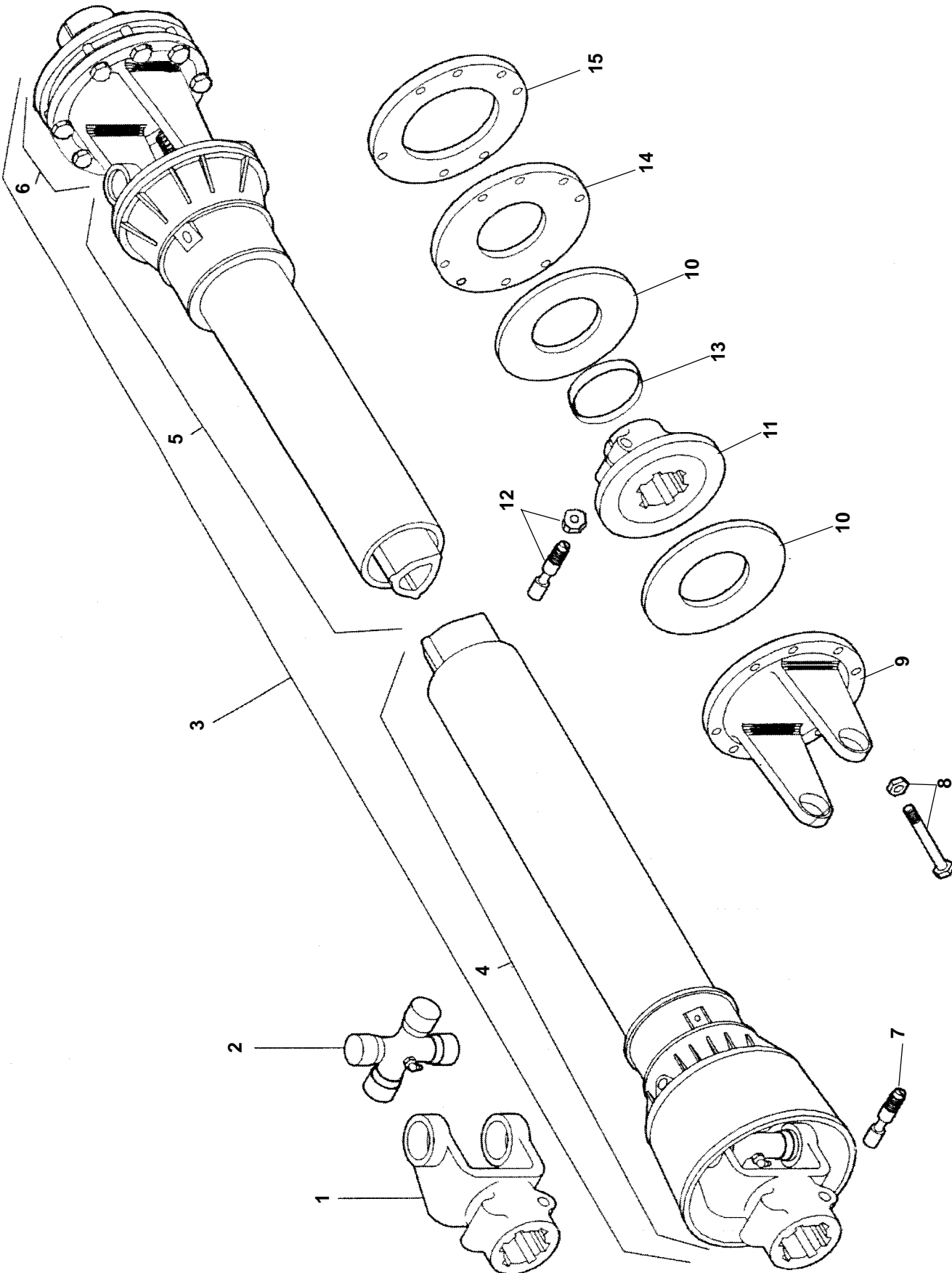
# Rotavator 310 / 320



Reservedelsliste  
Spare parts list  
Ersatzteilliste  
Onderdelenlijst  
Liste de pièce de rechange  
Lista de piezas  
Parti di ricambio

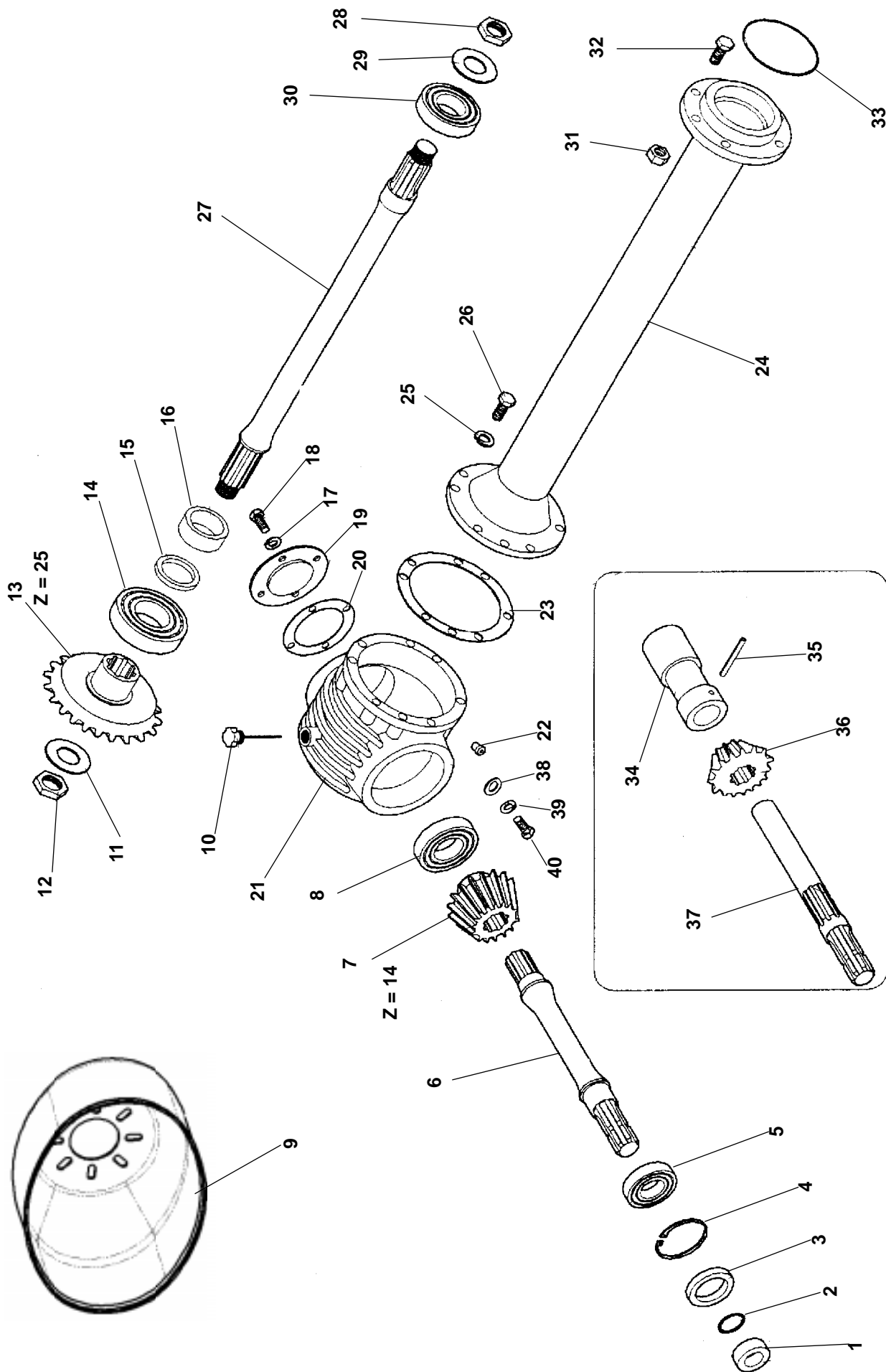
 **HOWARD**

# ROTAVATOR 310 / 320



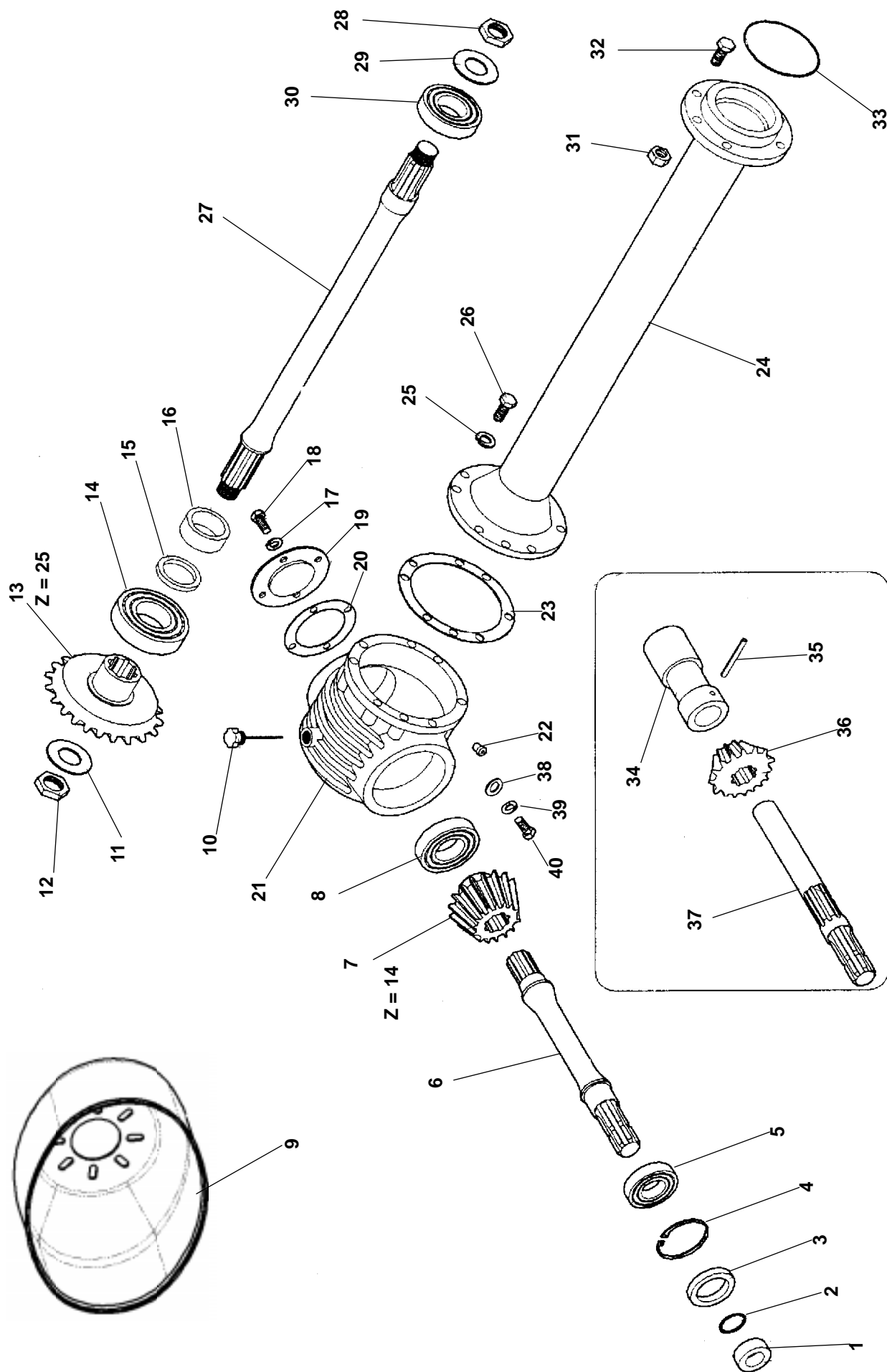
| <b>Fig.</b> | <b>Serial n°</b> | <b>Part n°</b> | <b>Pieces</b> | <b>Notes</b> |
|-------------|------------------|----------------|---------------|--------------|
| 1           |                  | 74000649360    | 1             |              |
| 2           |                  | 74000649356    | 1             |              |
| 3           |                  | 74000665008    | 1             |              |
| 4           |                  | 74000649359    | 1             |              |
| 5           |                  | 74000649358    | 1             |              |
| 6           |                  | 74966884000    | 1             |              |
| 7           |                  | 74966884200    | 1             |              |
| 8           |                  | 74966884300    | 8             |              |
| 9           |                  | 74966884400    | 1             |              |
| 10          |                  | 74966884600    | 1             |              |
| 11          |                  | 74966884700    | 1             |              |
| 12          |                  | 74966884800    | 1             |              |
| 13          |                  | 74966884900    | 1             |              |
| 14          |                  | 74966885000    | 1             |              |
| 15          |                  | 74966885100    | 1             |              |
|             |                  |                |               |              |
|             |                  |                |               |              |

# ROTAVATOR 310 / 320



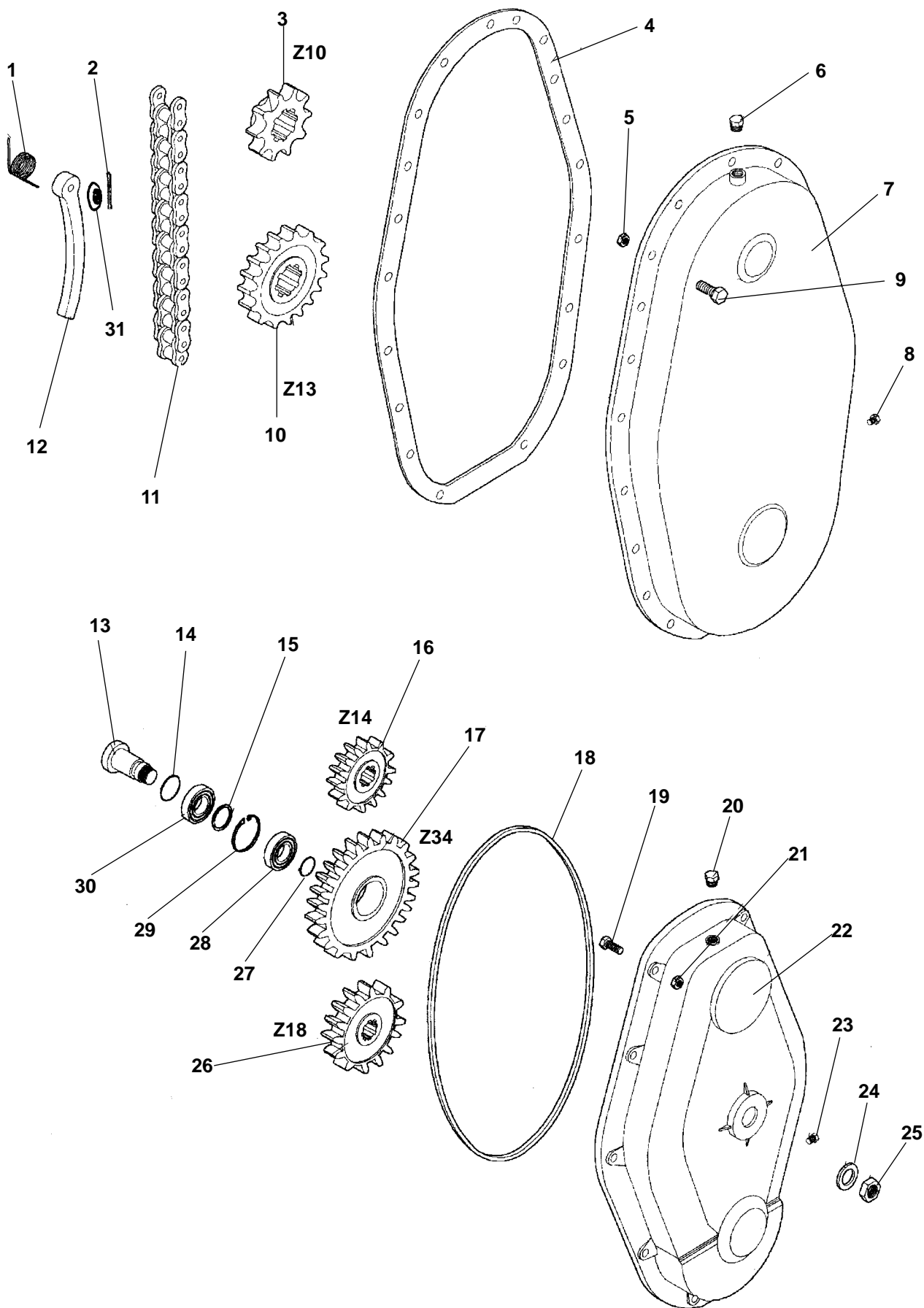
| Fig. | Serial nº | Part nº     | Pieces | Notes                 |
|------|-----------|-------------|--------|-----------------------|
| 1    |           | 74000665093 | 1      |                       |
| 2    |           | 73202023370 | 1      | O Ring 35 x 3,5 mm    |
| 3    |           | 71267250121 | 1      | Seal 72 x 50 x 12 mm  |
| 4    |           | 73208001310 | 1      | Circlip I-72          |
| 5    |           | 73253572181 | 1      | Bearing # 30207       |
| 6    |           | 74000665092 | 1      |                       |
| 7    |           | 74000665174 | 1      | Z14                   |
| 8    |           | 74253072211 | 1      | Bearing # 30306       |
| 9    |           | 74966829000 | 1      |                       |
| 10   |           | 74000649623 | 1      | Plug 1/2"             |
| 11   |           | 74203026020 | 1      | Belleville            |
| 12   |           | 74000640114 | 1      | Special nut           |
| 13   |           | 74000665173 | 1      | Z25                   |
| 14   |           | 71255510231 | 1      | Bearing # 30211       |
| 15   |           | 74267055081 | 1      | Seal 70 x 55 x 8 mm   |
| 16   |           | 74000640115 | 1      |                       |
| 17   |           | 74108061140 | 4      | Spring washer M10     |
| 18   |           | 74301210250 | 4      | Bolt M10 x 25 mm      |
| 19   |           | 74000665095 | 1      |                       |
| 20   |           | 74000665179 | 1      | 0,25 mm               |
| 20   |           | 74000665180 | 1      | 0,50 mm               |
| 21   |           | 74000665090 | 1      |                       |
| 22   |           | 71203031160 | 1      | Plug 1/8"             |
| 23   |           | 74000061021 | 1      |                       |
| 24   |           | 74000665209 | 1      | 90                    |
| 24   |           | 74000665210 | 1      | 100/115               |
| 24   |           | 74000665211 | 1      | 125/140               |
| 24   |           | 74000666833 | 1      | 150                   |
| 25   |           | 74108061140 | 8      | Spring washer M10     |
| 26   |           | 74301210250 | 8      | Bolt M10 x 25 mm      |
| 27   |           | 74000640601 | 1      | 90                    |
| 27   |           | 74000640238 | 1      | 100/115               |
| 27   |           | 74000640239 | 1      | 125/140               |
| 27   |           | 74000665932 | 1      | 150                   |
| 28   |           | 74000640114 | 1      | Special nut           |
| 29   |           | 74203026140 | 1      | 310                   |
| 29   |           | 74203026020 | 1      | 320                   |
| 30   |           | 73254080201 | 1      | Bearing # 30208       |
| 31   |           | 7130721205  | 6      | Self locking nut M12  |
| 32   |           | 74301212300 | 6      | Bolt M12 x 30 mm      |
| 33   |           | 73202071440 | 1      | O Ring 87 x 95 x 4 mm |
| 34   |           | 74000665067 | 1      |                       |
| 35   |           | 71208012070 | 1      | Pin                   |

# ROTAVATOR 310 / 320



| <b>Fig.</b> | <b>Serial n°</b> | <b>Part n°</b> | <b>Pieces</b> | <b>Notes</b>      |
|-------------|------------------|----------------|---------------|-------------------|
| 36          |                  | 74000665068    | 1             | Z25               |
| 37          |                  | 74000665066    | 1             |                   |
| 38          |                  | 74308140020    | 4             | Flat washer M14   |
| 39          |                  | 71308140040    | 4             | Spring washer M14 |
| 40          |                  | 74301214300    | 4             | Bolt M14 x 30 mm  |
|             |                  |                |               |                   |
|             |                  |                |               |                   |
|             |                  |                |               |                   |
|             |                  |                |               |                   |

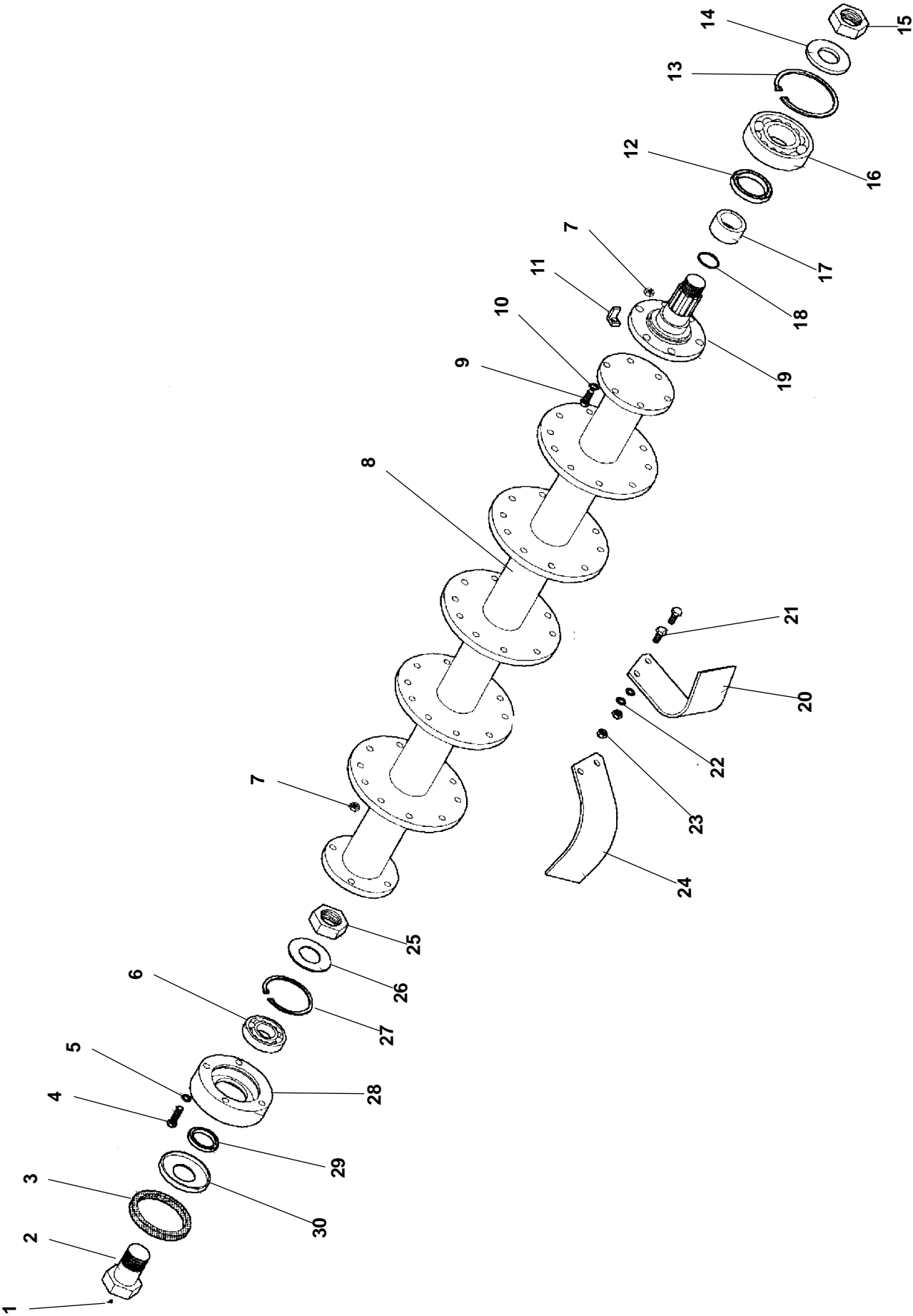
# ROTAVATOR 310 / 320



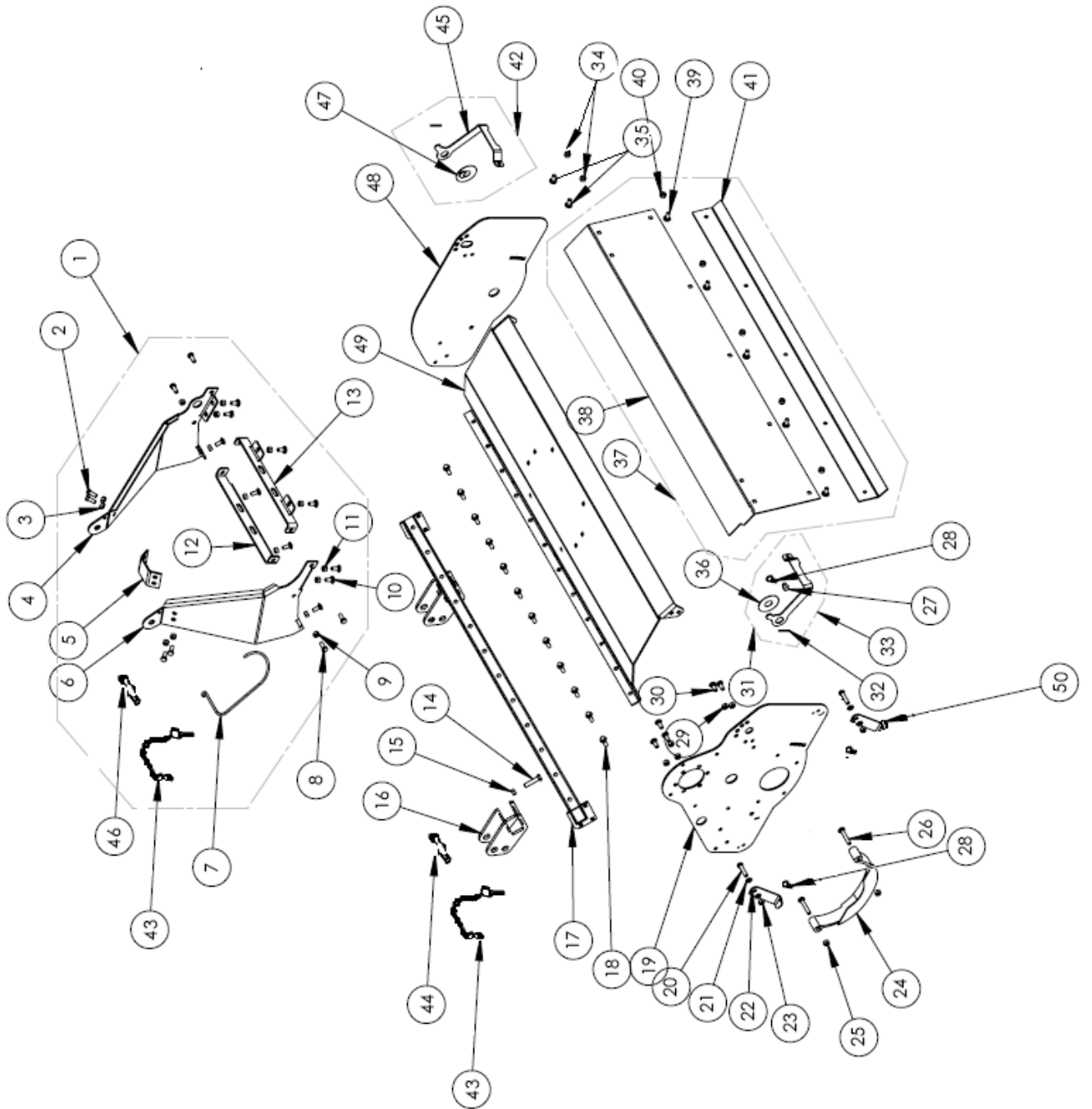


| Fig. | Serial nº | Part nº      | Pieces | Notes                 |
|------|-----------|--------------|--------|-----------------------|
| 1    |           | 74000665221  | 1      |                       |
| 2    |           | 71208012430  | 1      | Pin                   |
| 3    |           | 74000665175  | 1      | Z10                   |
| 4    |           | 74000665171  | 1      |                       |
| 5    |           | 300316027    | 16     | Self locking nut M8   |
| 6    |           | 71203031190  | 1      | Plug 1/2"             |
| 7    |           | 74000665170R | 1      |                       |
| 8    |           | 71203031160  | 1      | Plug 1/8"             |
| 9    |           | 300304155    | 16     | Bolt M8 x 20 mm       |
| 9    |           | 74301208250  | 2      | Bolt M8 x 25 mm       |
| 10   |           | 74000665176  | 1      | Z13                   |
| 11   |           | 74000666831  | 1      |                       |
| 12   |           | 74000665163  | 1      |                       |
| 13   |           | 74000640954  | 1      |                       |
| 14   |           | 74202070530  | 1      | O Ring 40 x 48 x 4 mm |
| 15   |           | 74000640955  | 1      |                       |
| 16   |           | 74000649212  | 1      | Z14                   |
| 17   |           | 74000069724  | 1      | Z34                   |
| 18   |           | 74000640548  | 1      |                       |
| 19   |           | 74301208300  | 10     | Bolt M8 x 30mm        |
| 20   |           | 71203031190  | 1      | Plug 1/2"             |
| 21   |           | 300316027    | 10     | Self locking nut M8   |
| 22   |           | 74000649201R | 1      |                       |
| 23   |           | 74203031230  | 1      | Plug 1/4"             |
| 24   |           | 74203026020  | 1      | Belleville            |
| 25   |           | 74000640114  | 1      |                       |
| 26   |           | 74000649213  | 1      | Z18                   |
| 27   |           | 73202074710  | 1      | O Ring 24 x 32 x 4 mm |
| 28   |           | 73254080201  | 1      | Bearing # 30208       |
| 29   |           | 71208001320  | 1      | Circlip I-80          |
| 30   |           | 73254080201  | 1      | Bearing # 30208       |
| 31   |           | 71308160040  | 1      | Flat M16              |
|      |           |              |        |                       |

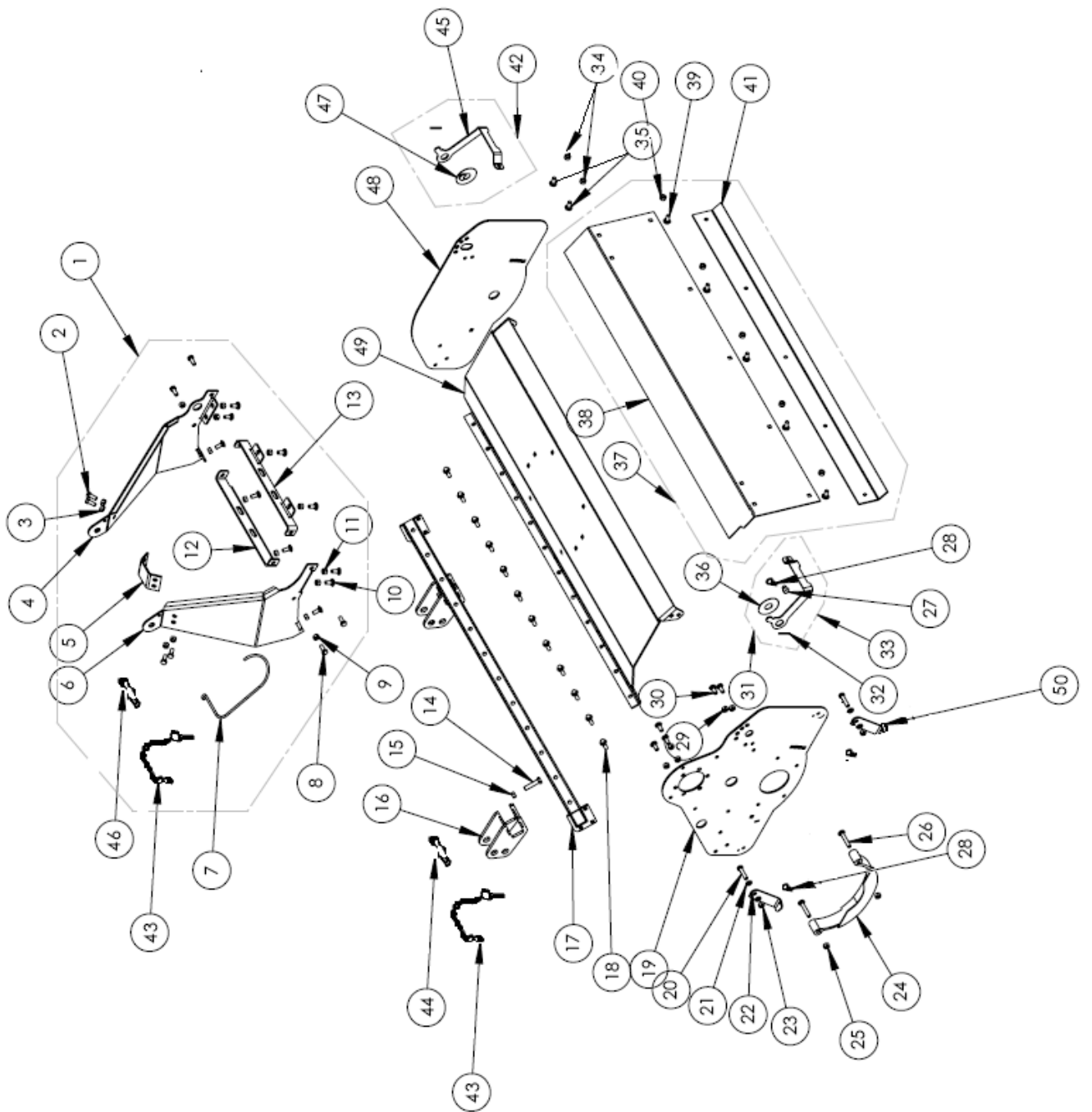
# ROTAVATOR 310 / 320



| Fig. | Serial nº | Part nº      | Pieces | Notes                       |
|------|-----------|--------------|--------|-----------------------------|
| 1    |           | 74202030020  | 1      | Grease nipple               |
| 2    |           | 74000649263  | 1      |                             |
| 3    |           | 74000649704  | 1      |                             |
| 4    |           | 300304056    | 4      | Bolt M12 x 30 mm            |
| 5    |           | 300332022    | 4      | Spring washer M12           |
| 6    |           | 74253572171  | 1      | Bearing # 6207              |
| 7    |           | 300316021    | 10     | Self locking nut M12        |
| 8    |           | 74000665184R | 1      | 90                          |
| 8    |           | 74000665182R | 1      | 100                         |
| 8    |           | 74000665183R | 1      | 115                         |
| 8    |           | 74000665184R | 1      | 125                         |
| 8    |           | 74000665185R | 1      | 140                         |
| 8    |           | 74000665186R | 1      | 150                         |
| 9    |           | 300304056    | 6      | Bolt M12 x 30 mm            |
| 10   |           | 300332022    | 6      | Spring washer M12           |
| 11   |           | 74000649784R | 1      |                             |
| 12   |           | 74262721031  | 1      | Seal 2 3/4" x 2 1/8" x 5/6" |
| 13   |           | 74208001325  | 1      | Circlip I-85                |
| 14   |           | 74203026020  | 1      | Belleville                  |
| 15   |           | 74000640114  | 1      | Special Nut                 |
| 16   |           | 74254585191  | 1      | Bearing # 6209              |
| 17   |           | 74 000665218 | 1      |                             |
| 18   |           | 74202070660  | 1      | O Ring 44 x 48 x 2 mm       |
| 19   |           | 74000665202  | 1      |                             |
| 20   |           | 73000665149V | #      | <                           |
| 21   |           | 7400009852   | #      | Special bolt                |
| 22   |           | 73108071240  | #      | Spring washer               |
| 23   |           | 74000061188  | #      | Special nut                 |
| 24   |           | 73000665150V | #      | >                           |
| 25   |           | 74000640114  | 1      | Special nut                 |
| 26   |           | 74203026160  | 1      | Belleville                  |
| 27   |           | 74208001310  | 1      | Circlip I-72                |
| 28   |           | 74000649235  | 1      |                             |
| 29   |           | 74266045072  | 1      | Seal 60 x 45 x 7 mm         |
| 30   |           | 74000649237  | 1      |                             |



| Fig. | Serial nº | Part nº     | Pieces | Notes                    |
|------|-----------|-------------|--------|--------------------------|
| 1    |           | 74967002800 | 1      |                          |
| 2    |           | 74301212350 | 4      | Bolt M12 x 35 mm         |
| 3    |           | 71307212050 | 4      | Self locking nut M12     |
| 4    |           | 74966984702 | 1      |                          |
| 5    |           | 74966984703 | 1      |                          |
| 6    |           | 74966984701 | 1      |                          |
| 7    |           | 74966999900 | 1      |                          |
| 8    |           | 74301210250 | 4      | Bolt M10 x 25 mm         |
| 9    |           | 300316020   | 4      | Self locking nut M10     |
| 10   |           | 7000601587  | 10     | Bolt M10 x 25 mm DIN 603 |
| 11   |           | 300316020   | 10     |                          |
| 12   |           | 74966984602 | 1      |                          |
| 13   |           | 74966984601 | 1      |                          |
| 14   |           | 300304063   | 2      | Bolt M12 x 65 mm         |
| 15   |           | 300316021   | 2      | Self locking nut M12     |
| 16   |           | 74966987200 | 2      |                          |
| 17   |           | 74966975209 | 1      |                          |
| 17   |           | 74966975210 | 1      |                          |
| 17   |           | 74966975211 | 1      |                          |
| 17   |           | 74966975212 | 1      |                          |
| 17   |           | 74966975214 | 1      |                          |
| 17   |           | 74966975215 | 1      |                          |
| 18   |           | 74301810350 | #      | Verbus Ripp M10 x 35 mm  |
| 19   |           | 74966980004 | 1      | 310                      |
| 19   |           | 74966980006 | 1      | 320                      |
| 20   |           | 74301210350 | 1      | Bolt M10 x 35 mm         |
| 21   |           | 71308100165 | 2      | Flat washer M10          |
| 22   |           | 74966998207 | 1      | Front leg                |
| 23   |           | 300316020   | 1      | Self locking nut M10     |
| 24   |           | 74966984800 | 2      |                          |
| 25   |           | 300316020   | 4      | Self locking nut M10     |
| 26   |           | 300304174   | 4      | Bolt M10 x 60 mm DIN 603 |
| 27   |           | 74967001703 | 2      |                          |
| 28   |           | 300333065   | 3      | Pin "R"                  |
| 29   |           | 300316020   | 10     | Self locking nut M10     |
| 30   |           | 7000601587  | 10     | Bolt M10 x 25 mm DIN 603 |
| 31   |           | 74967003000 | 1      |                          |
| 32   |           | 300323019   | 1      | Elastic Pin 4 x 40 mm    |
| 33   |           | 74967001701 | 1      |                          |
| 34   |           | 7000601587  | 1      | Bolt M10 x 25 mm DIN 603 |
| 35   |           | 300316020   | 1      | Self locking nut M10     |
| 36   |           | 74967001803 | 1      |                          |
| 37   |           | 74967003109 | 1      |                          |
| 37   |           | 74967003110 | 1      |                          |
| 37   |           | 74967003111 | 1      |                          |



| Fig. | Serial n° | Part n°     | Pieces | Notes                    |
|------|-----------|-------------|--------|--------------------------|
| 37   |           | 74967003112 | 1      |                          |
| 37   |           | 74967003114 | 1      |                          |
| 37   |           | 74967003115 | 1      |                          |
| 38   |           | 74966974609 | 1      |                          |
| 38   |           | 74966974410 | 1      |                          |
| 38   |           | 74966974411 | 1      |                          |
| 38   |           | 74966974412 | 1      |                          |
| 38   |           | 74966974414 | 1      |                          |
| 38   |           | 74966974415 | 1      |                          |
| 39   |           | 7000601587  | #      | Bolt M10 x 25 mm DIN 603 |
| 40   |           | 300316020   | #      | Self locking nut M10     |
| 41   |           | 74966974709 | 1      |                          |
| 41   |           | 74966974710 | 1      |                          |
| 41   |           | 74966974711 | 1      |                          |
| 41   |           | 74966974712 | 1      |                          |
| 41   |           | 74966974714 | 1      |                          |
| 41   |           | 74966974715 | 1      |                          |
| 42   |           | 74967002900 | 1      |                          |
| 43   |           | 74966887500 | 3      |                          |
| 44   |           | 71000624176 | 2      |                          |
| 45   |           | 74967001701 | 1      | LH                       |
| 45   |           | 74967001702 | 1      | RH                       |
| 46   |           | 74000065566 | 1      |                          |
| 47   |           | 74967001800 | 1      |                          |
| 48   |           | 74966980005 | 1      | 310                      |
| 48   |           | 74966980007 | 1      | 320                      |
| 49   |           | 74966973909 | 1      | 090                      |
| 49   |           | 74966973910 | 1      | 100                      |
| 49   |           | 74966973911 | 1      | 115                      |
| 49   |           | 74966973912 | 1      | 125                      |
| 49   |           | 74966973914 | 1      | 140                      |
| 49   |           | 74966973915 | 1      | 150                      |
| 49   |           | 74966973921 | 1      | 125 Offset               |
| 49   |           | 74966973941 | 1      | 140 Offset               |
| 49   |           | 74966973951 | 1      | 150 Offset               |
| 50   |           | 74966998206 | 1      | Rear leg                 |

PN: 74967100000

May 2014